

312/1

Paper 1

GEOGRAPHY

Mar. 2022 – 2¾ hours



Name Index Number

Candidate's Signature Date

Instructions to candidates

- (a) Write your name and index number in the spaces provided above.
- (b) Sign and write the date of examination in the spaces provided above.
- (c) This paper consists of two sections; **A** and **B**.
- (d) Answer **all** the questions in section **A**.
- (e) Answer **question 6** and any other **two** questions from section **B**.
- (f) Answers **must** be written in the spaces provided at the end of question 10.
- (g) **This paper consists of 20 printed pages.**
- (h) **Candidates should check the question paper to ascertain that all the pages are printed as indicated and that no questions are missing.**
- (i) **Candidates should answer the questions in English.**

For Examiner's Use Only

Section	Questions	Maximum Score	Candidate's Score
A	1-5	25	
B	6	25	
		25	
		25	
Total Score			

525

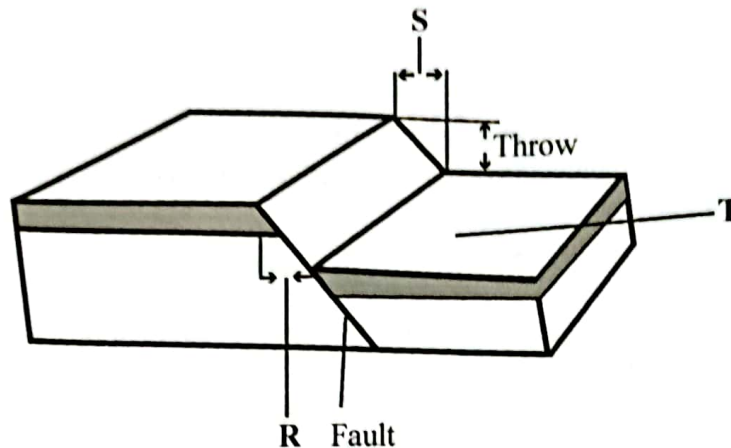
B017



SECTION A

Answer *all* the questions in this section.

1. (a) Apart from dew, name **three** other forms of precipitation. (3 marks)
 (b) State **two** conditions necessary for the formation of dew. (2 marks)
2. The diagram below represents crustal rocks that have undergone the process of faulting. Use it to answer question 2 (a).



- (a) Name the parts marked **R**, **S** and **T**. (3 marks)
 (b) Give **two** processes by which rift valleys are formed. (2 marks)
3. (a) Name the **two** layers of discontinuity in the internal structure of the earth. (2 marks)
 (b) Give **three** characteristics of the SIMA layer. (3 marks)
4. (a) What is an iceberg? (2 marks)
 (b) List **three** erosional features found in glaciated lowlands. (3 marks)
5. (a) Identify **two** types of soil by texture. (2 marks)
 (b) State **three** ways in which humus contributes to the quality of soil. (3 marks)



SECTION B

Answer question 6 and any other two questions from this section.

6. Study the map of Nyeri 1:50,000 (sheet 120/4) provided and answer the following questions.
- (a) (i) Identify the **two** types of scales used in the map. (2 marks)
- (ii) Give the **six** figure grid reference of the trigonometrical station 120TT27 in the North Western part of the area covered by the map. (2 marks)
- (b) Measure the length of the all weather road loose surface (E583) from Easting 57 to Easting 66. Give your answer in kilometres. (2 marks)
- (c) Draw a rectangle 12 cm by 16 cm to represent the area enclosed by Eastings 64 and 67, and Northings 51 and 55. (1 mark)
- On the rectangle, mark and name each of the following:
- (i) Nyeri hill forest (1 mark)
- (ii) River Chanya (1 mark)
- (iii) Trigonometrical station 120T 19 (1 mark)
- (iv) Kagundu School. (1 mark)
- (d) Describe the distribution of natural vegetation in the area covered by the map. (8 marks)
- (e) Citing evidence from the map, identify **three** economic activities carried out in the area covered by the map. (6 marks)

525

B017



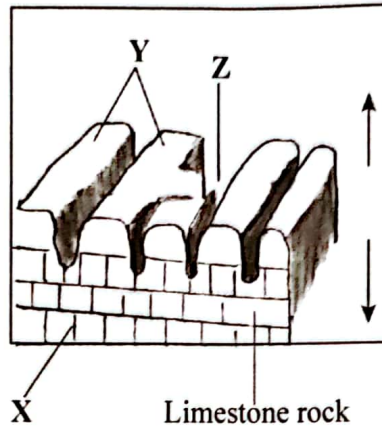
7. (a) (i) Give **three** components of the solar system. (3 marks)
- (ii) State **three** weaknesses of the Passing Star theory. (3 marks)
- (b) (i) What is the local time at Kinshasa 15°E when the local time at Malindi 40°E , is 12.00 noon? (3 marks)
- (ii) Give **two** reasons why the earth has a spherical shape. (2 marks)
- (iii) State **three** effects of revolution of the Earth around the Sun. (3 marks)
- (c) (i) Apart from the core, list the other **four** main layers of the earth's structure. (4 marks)
- (ii) State **three** characteristics of the inner core of the earth. (3 marks)
- (iii) Explain why the interior of the earth is hot. (4 marks)
8. (a) (i) Name **two** saline lakes that are found in Kenya. (2 marks)
- (ii) Give **four** reasons why some lakes in the rift valley are saline. (4 marks)
- (b) (i) Apart from cirque lake, list **two** other lakes that are formed through glaciation process. (2 marks)
- (ii) Describe the formation of a cirque lake. (5 marks)
- (c) Explain **four** positive effects of lakes to human activities. (8 marks)
- (d) Your class is planning to carry out a field study on economic uses of a nearby lake.
- (i) Give **two** reasons why they would require a route map. (2 marks)
- (ii) List **two** methods of data collection they are likely to use. (2 marks)

525

B017



9. (a) (i) What is Karst scenery? (2 marks)
- (ii) Give **four** conditions necessary for the development of Karst scenery. (4 marks)
- (b) The diagram below shows surface features in a limestone area. Use it to answer question 9(b)(i).

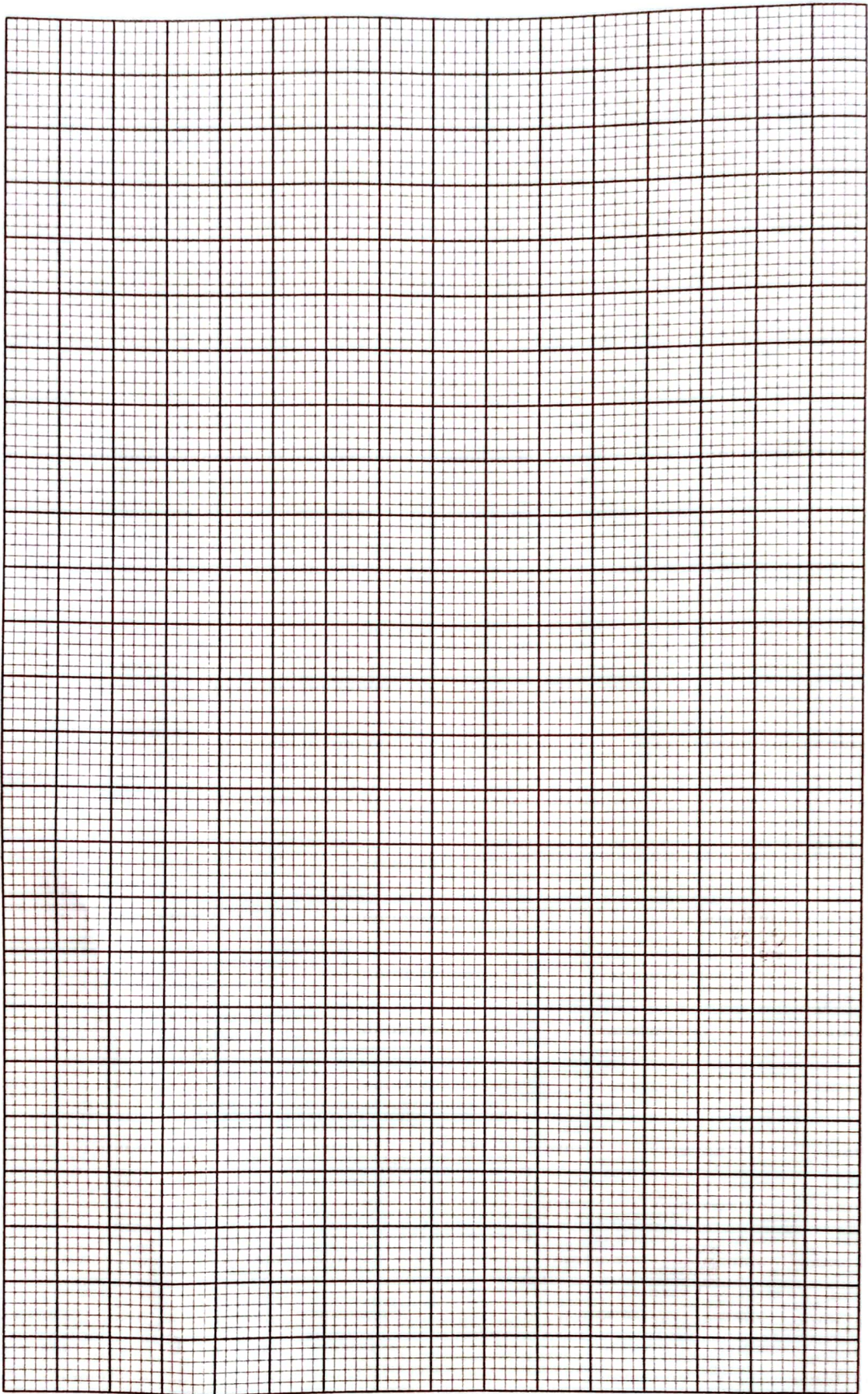


- (i) Name the features marked X, Y and Z. (3 marks)
- (ii) Describe how the following Karst scenery features are formed.
- I. Stalagmite (5 marks)
 - II. Polje. (5 marks)
- (c) Explain **three** reasons why there are few settlements on the Karst scenery. (6 marks)
10. (a) (i) Name the **three** major deserts in Africa. (3 marks)
- (ii) Give **two** reasons why wind action is distinct in hot deserts. (2 marks)
- (b) Describe the processes through which wind transports its load. (6 marks)
- (c) Describe how the following desert features are formed.
- I. Oasis (4 marks)
 - II. Wadi. (4 marks)
- (d) Explain the significance of desert features to human activities. (6 marks)

525

B017





525

B017

THIS IS THE LAST PRINTED PAGE.



915043

Kenya Certificate of Secondary Education, 2021
312/1